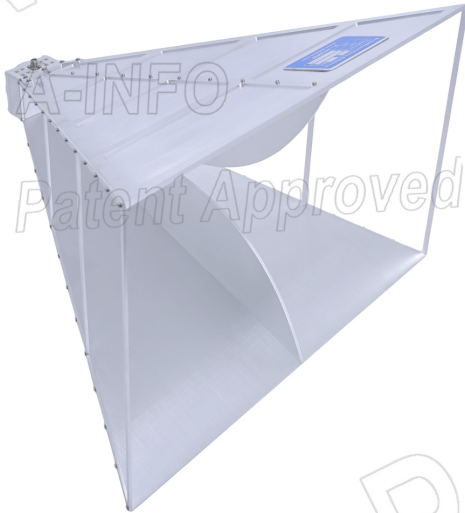


For reference only. See data sheet for the detailed specifications.

## Technical Specification



Frequency Range(GHz)	0.5 – 40.0	
Gain(dBi)	12 Typ.	
Polarization	Linear	
3dB Beamwidth(deg)	E Plane:	111 – 17
	H Plane:	84 – 15
Cross Pol. Isolation(dB)	35 Typ.	
VSWR	1.60:1 Typ.	
Connector	2.92mm-Female or 2.4mm-Female	
Power Handling(W CW)	2.92mm-F:	20 Max.
	2.4mm-F:	10 Max.
Material	Al	
Finish	Chemical Conversion Coating	
Size(mm)	368.5 x 264.6 x 328	
Net Weight(Kg)	1.32 Around	

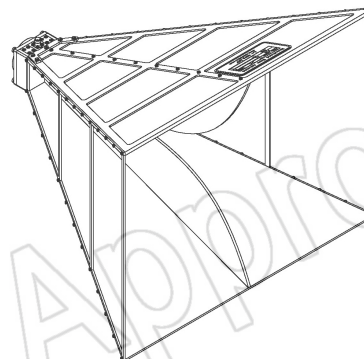
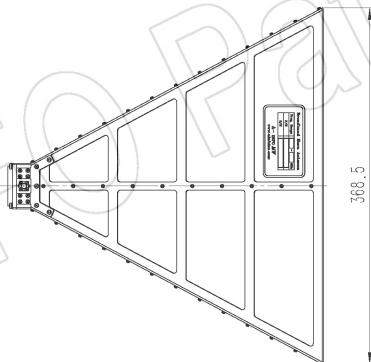
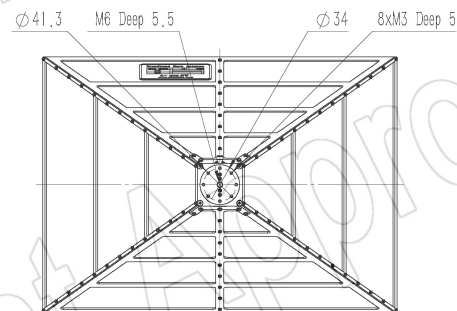
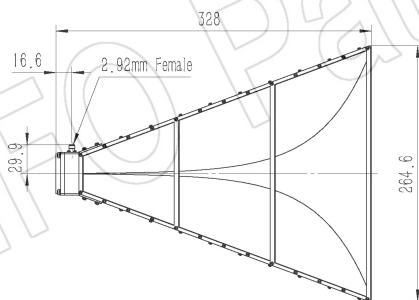
**PATENT ID (China)**

**ZL202121732730.2**

## Outline Drawing (Size: mm)

2.92mm-Female Output (P/N: LB-5400-KF)

For 2.4mm-Female output outline drawing, please contact A-INFO.



**AINFO Inc.**

Page 1 of 18

China(Beijing):  
China(Chengdu):  
USA :

Tel: (+86) 10-6266-7326,  
Tel: (+86) 28-8519-2786,  
Tel: (+1) 949-639-9688,

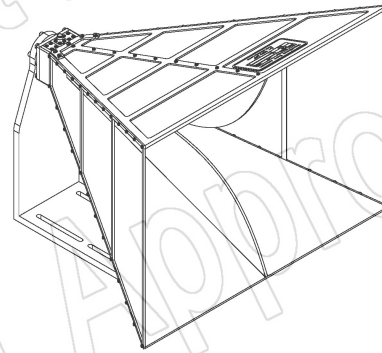
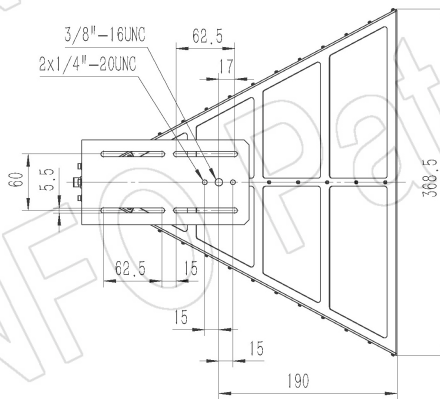
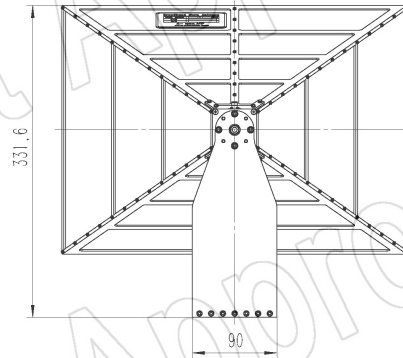
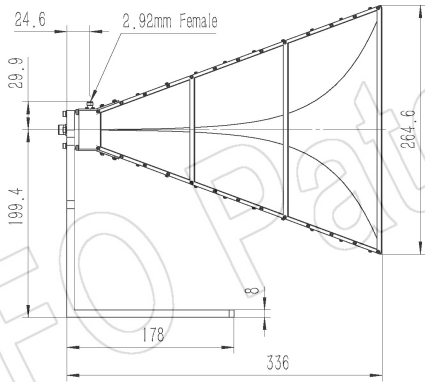
(+86) 10-6266-7327  
(+86) 28-8519-3044  
(+1) 949-639-9608

Fax: (+86) 10-6266-7379  
Fax: (+86) 28-8519-3068  
Fax: (+1) 949-639-9670

Website: [www.ainfoinc.com](http://www.ainfoinc.com)  
Email: [sales@ainfoinc.com](mailto:sales@ainfoinc.com)

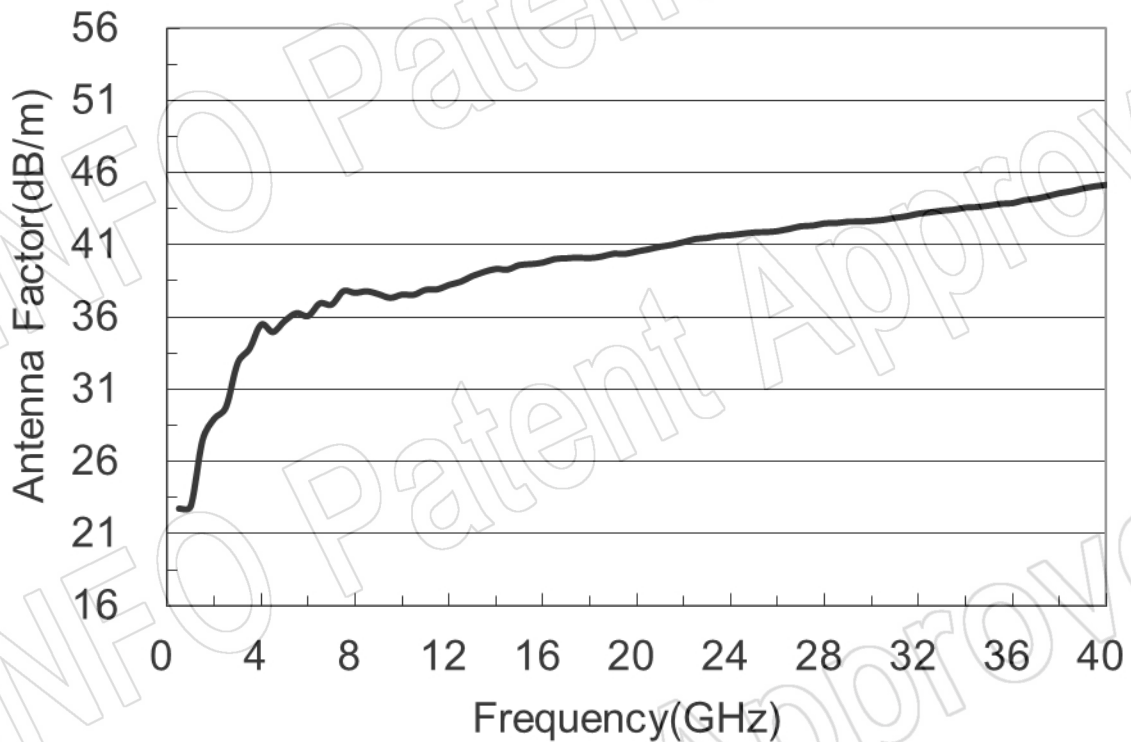
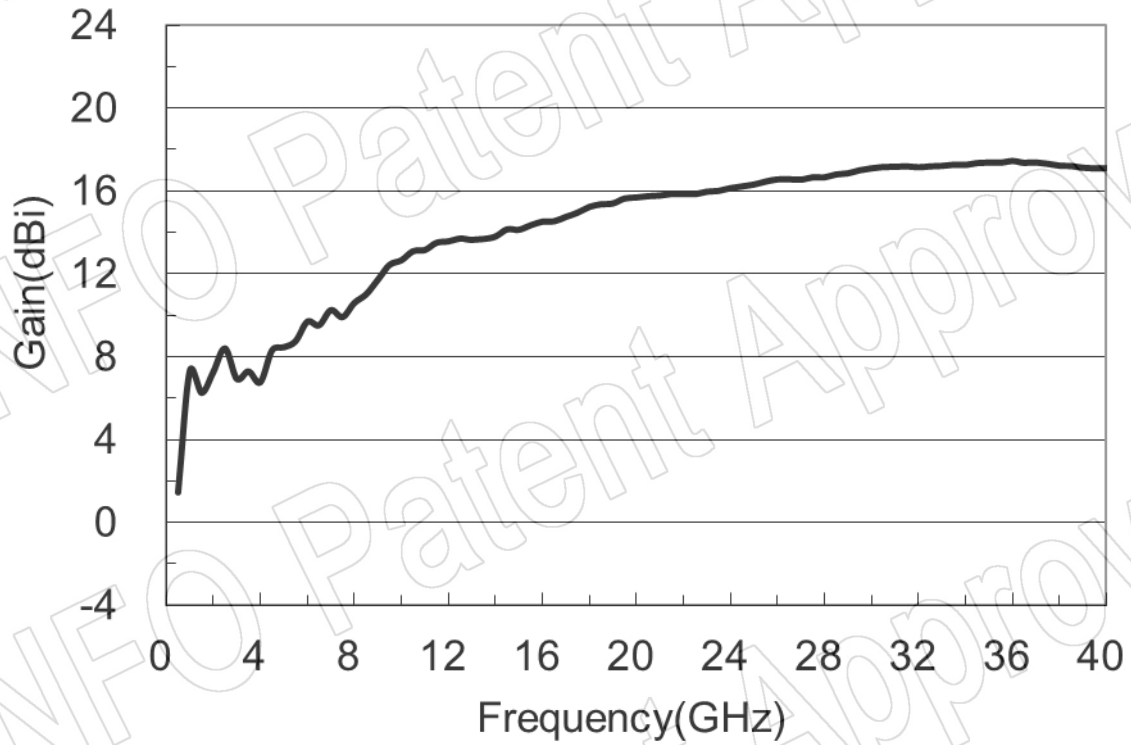
## 2.92mm-Female Output with L Type Mounting Bracket (Option, P/N: LB-5400-L)

For 2.4mm-Female output outline drawing, please contact A-INFO.

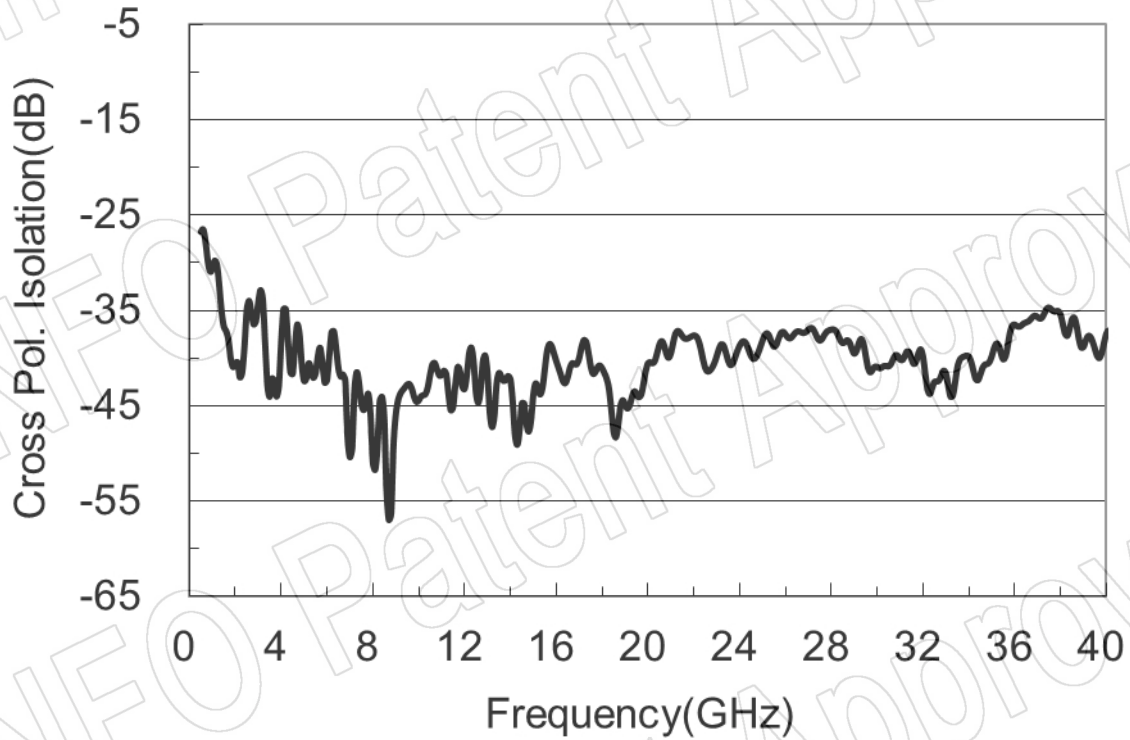


## Test Results

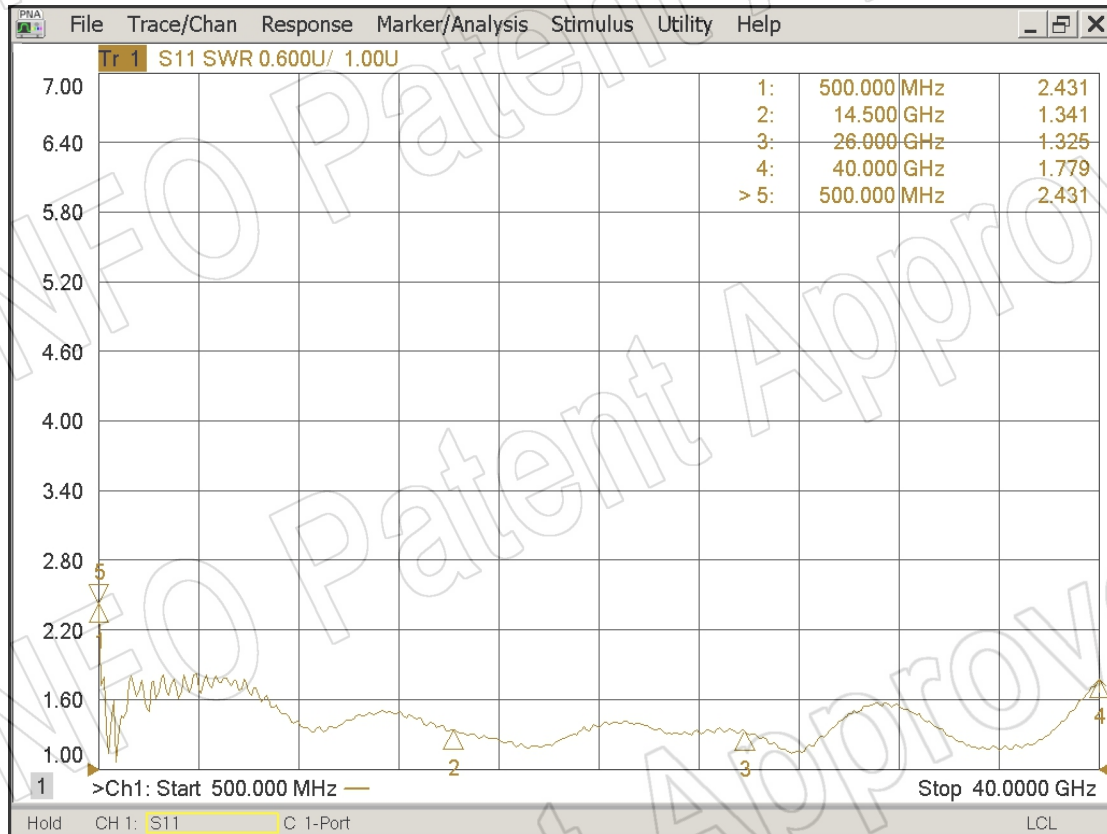
### 1. Gain & Antenna Factor



## 2. Cross Polarization Isolation



## 3. VSWR





## 4. Pattern

